



广东圣恩迪实业有限公司

GuangDong S&D Industrial Co.,Ltd

Tel:0769-27280272 Fax:0769-27280273

Http:www.send-tech.com&www.sdconnector.com E-mail:sales@send-tech.com

规格书 SPECIFICATION

产品名称 Product Name

SE50 双极连接器

规格型号 Part No

SE50

一、尺寸结构 Outline and dimensions: 见连接器图纸 Outline and dimensions of the connector is shown on the following drawing

二、技术参数 Technical Parameters:

1. 产品特性要求 Product Specifications

1-1. 额定电流(安培) Rated current(Ampere): 50A

1-2. 额定电压(伏特) Rated voltage(Volts): 600V

1-3. 绝缘电阻 Insulation Resistance: $\geq 9900M \Omega$

1-4. 接触电阻 (微欧) average contact Resistance(micro-ohms): $\leq 5m \Omega$

1-5. 寿命 Life:

a. 空载状态 (连接/断开次) Without load(Contact/Disconnect Cycles): To 5000

1-6. 防火等级 Flammability: UL94 V-0

1-7. 插拔力 Average. Connection/disconnect(N): 90 ± 8

a. 成品插入力 The insertion force of finished products: $\geq 9kgf$

b. 成品拨出力 The pullout force of finished products: $\geq 10kgf$

c. 线材与端子拉拔力, 参考同规 UL 标准. The pulling capacity between wire and terminal, It's in line with UL standard

1-8. 连接线径尺寸 (AWG) Contact Barrel Wire Size(AWG): 6~10/0AWG

1-9. 环境温度 (°C) Environment Temperatures(°C): -20°C --- 75°C

2. 材料及表面处理 Material and Surface performance

2-1. 端子材料 Material of terminal: 紫铜 Red copper

2-2. 生产工艺 Process of production: 精密冲压 Precision punching

2-3. 表面处理: 镀银 $0.5\mu m$, Fully Ag-plating on surface, it's Ag-plating thickness is $0.5\mu m$

2-4. 弹片 Shrapnel: 不锈钢 Stainless steel

2-5. 盐雾测试: 48H

2-6. 生产工艺 Process of production: 精密冲压 Precision punching

2-7. 胶壳 Housing: 材料 Material PC

2-8. 生产工艺 Process of production: 注塑成型 Plastic Injection

三、包装储存 (Packing and Storage)

1. 胶壳最小包数 30PCS/袋, 端子最小包装 60PCS/袋, 配用方式: 一对二. Standard packing qty: 30pcs/bag for connector; 60pcs/bag for terminal; mate with way: 1 connector uses 2 terminal.

2. 产品储存环境温度: 5-30°C, 相对湿度在 80%以下, 周围空气中无酸, 碱等腐蚀气体的仓库中, 储存期为两年. The products storage condition: temperature: 5-30°C, relative humidity: 80%, store in no acidic nor alkaline and no corrosive atmosphere warehouse, storage period: 2 years.



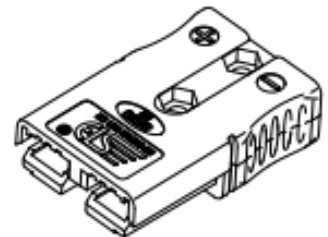
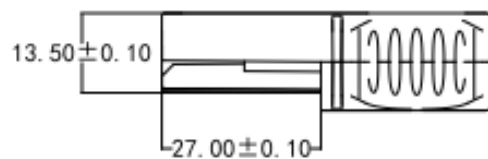
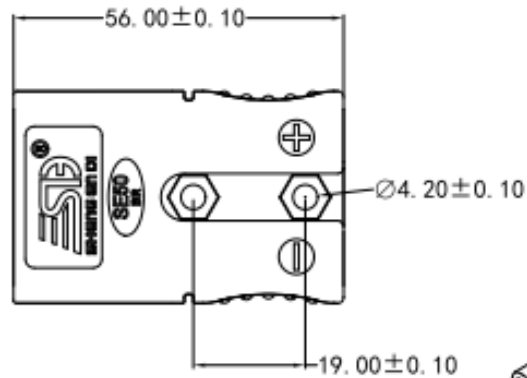
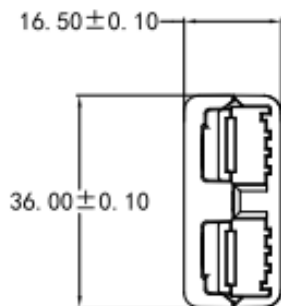
规格书 SPECIFICATION

产品名称 Product Name	SE50 双极连接器
规格型号 Part No	SE50

四、Ordering Information

1.Housing

Part Number	Housing Color
SE50H-Br	Brown





广东圣恩迪实业有限公司

GuangDong S&D Industrial Co.,Ltd

Tel:0769-27280272 Fax:0769-27280273

Http:www.send-tech.com&www.sdconnector.com E-mail:sales@send-tech.com

规格书 SPECIFICATION

产品名称 Product Name

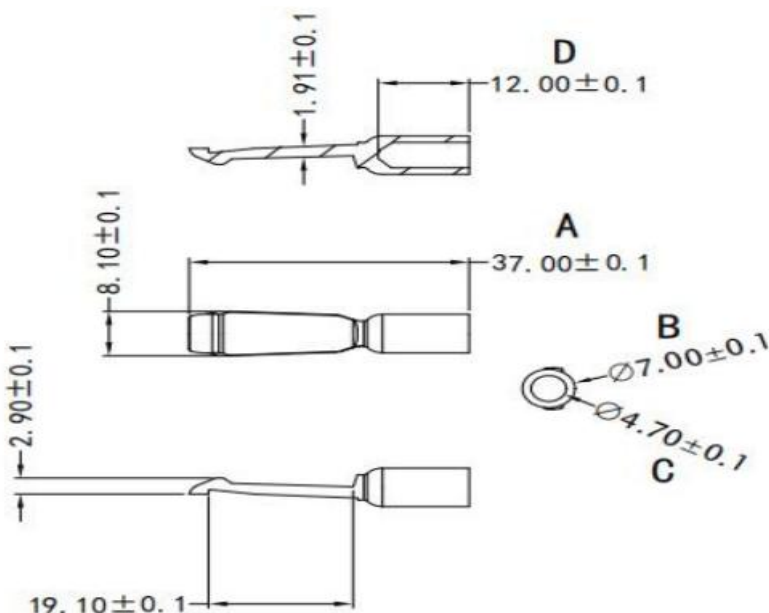
SE50 双极连接器

规格型号 Part No

SE50

2.Terminal

Part Number	-A-(mm)	-B-(mm)	-C-(mm)	-D-(mm)	Wire size
SGD5922-T	37.0	∅ 7.0	∅ 5.7	12.0	6/OAWG
SGD5921-T	37.0	∅ 7.0	∅ 4.7	12.0	8/OAWG
SGD5920-T	37.0	∅ 7.0	∅ 3.7	12.0	10&12/OAWG



Item	Name	QTY	Material	Remarks	Remarks:		
1	Housing	1	PC1010		1. Please fax to us the CS when you confirmed. (Fax : 0769-27280273) 。 2. If the products listed in the book need to be re-opened for more than 1 year, please fax the copy to our company for confirmation.		
2	Shrapnel	2	Stainless steel				
3	Terminal	2	Red copper	Ag-plating thickness			
Revision	Change the content			Date	Producer	Corrector	Approved
					Anne	Jack	David Xiao
					Proportion		1:1
					Unit		MM